




High Torque Power Pusher (4,800N Push Force)

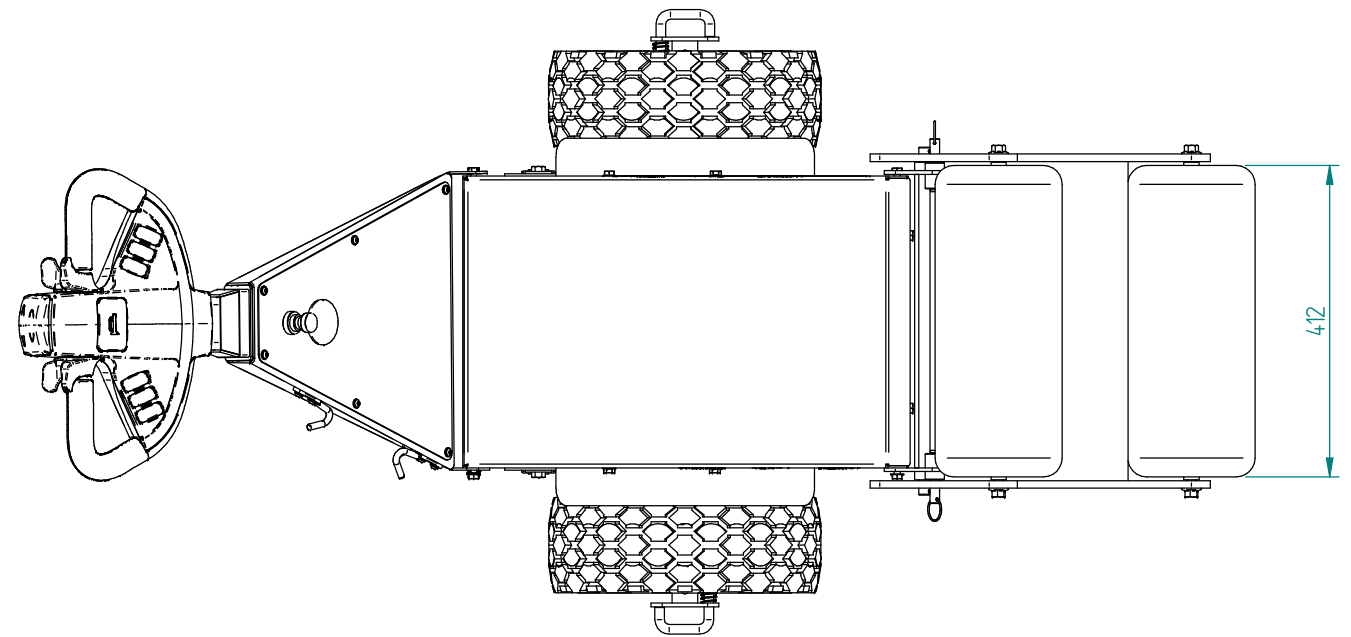
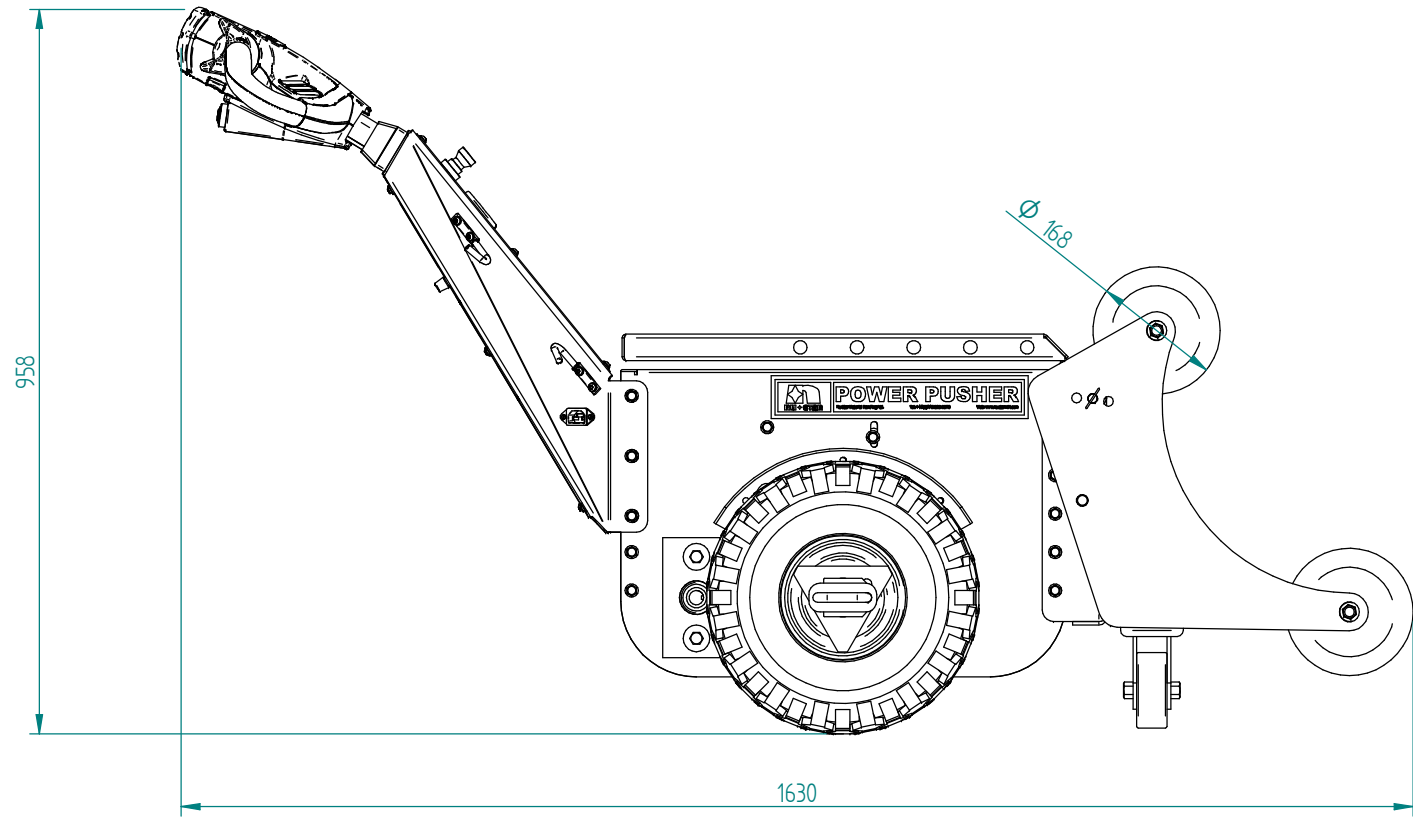
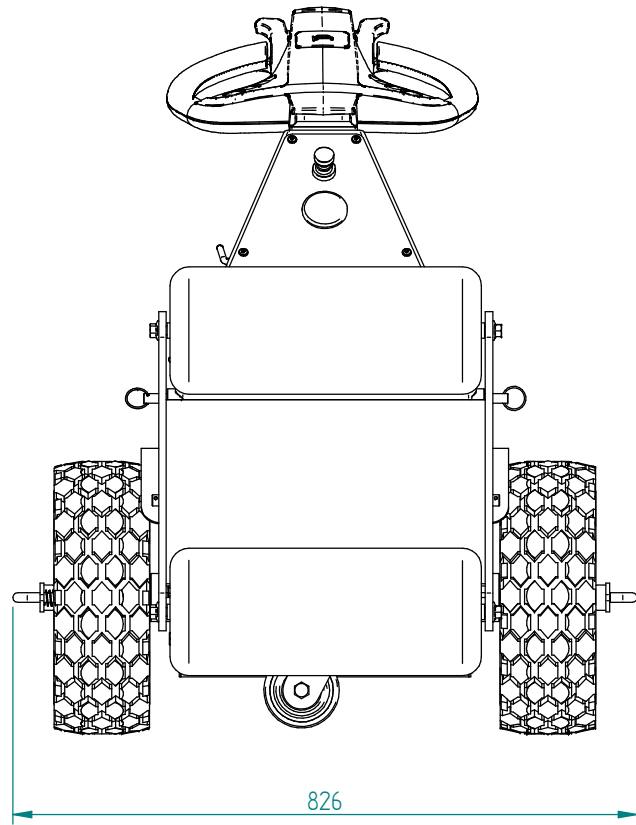
Speed: 0 - 1.91 km/h, infinitely variable by throttle control

THIS DRAWING IS THE PROPRIETARY PROPERTY OF NU-STAR MATERIAL HANDLING LTD AND MUST NOT BE USED EXCEPT IN CONNECTION WITH OUR WORK NOR IN ANY MANNER DISCLOSED TO ANY THRD PARTY WITHOUT NU-STAR MATERIAL HANDLING LTD'S WRITTEN CONSENT ALL RIGHTS OF DESIGN AND INVENTION ARE RESERVED.

© Nu-Star Material Handling Ltd 2002-2015

Unless otherwise specified tolerances are : .XX +/- .020 .XXX +/- .010 Angles +/- 1 deg	Finish	Date 25/11/2015
	Material	Scale


	Sheet 1 of 3	Title Tissue Roller Attachment
	Issue number 1	Project Power Pusher
	Size A3	Drawing No. PPTR-161115-01

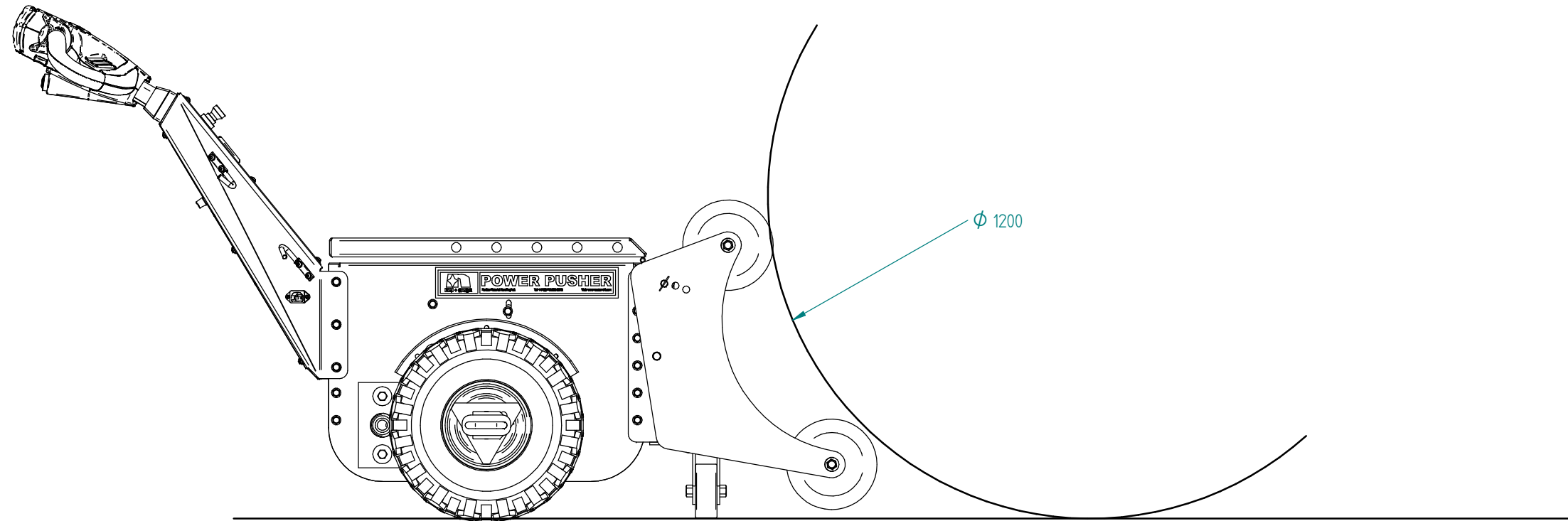
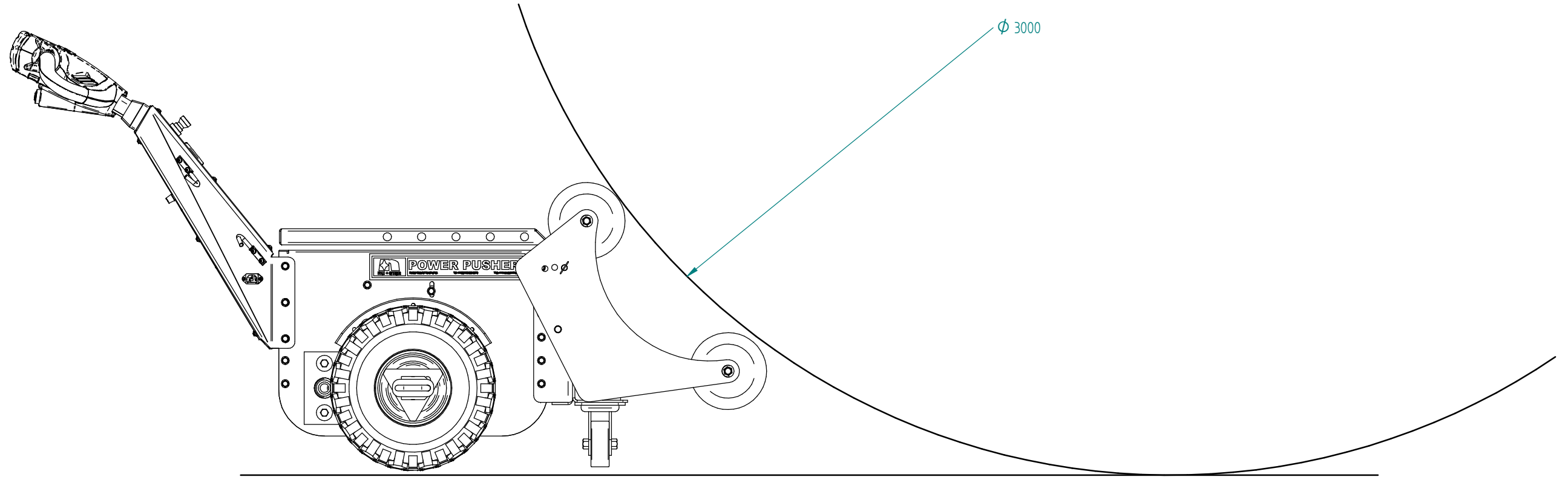


THIS DRAWING IS THE PROPRIETARY PROPERTY OF NU-STAR MATERIAL HANDLING LTD AND MUST NOT BE USED EXCEPT IN CONNECTION WITH OUR WORK NOR IN ANY MANNER DISCLOSED TO ANY THRD PARTY WITHOUT NU-STAR MATERIAL HANDLING LTD'S WRITTEN CONSENT ALL RIGHTS OF DESIGN AND INVENTION ARE RESERVED.

© Nu-Star Material Handling Ltd 2002-2015

Unless otherwise specified tolerances are : .XX +/- .020 .XXX +/- .010 Angles +/- 1 deg	Finish	Date 25/11/2015
	Material	Scale

	Sheet 2 of 3	Title Tissue Roller Attachment
	Issue number 1	Project Power Pusher
	Size A3	Drawing No. PPTR-161115-01




THIS DRAWING IS THE PROPRIETARY PROPERTY OF NU-STAR MATERIAL HANDLING LTD AND MUST NOT BE USED EXCEPT IN CONNECTION WITH OUR WORK NOR IN ANY MANNER DISCLOSED TO ANY THRD PARTY WITHOUT NU-STAR MATERIAL HANDLING LTD'S WRITTEN CONSENT ALL RIGHTS OF DESIGN AND INVENTION ARE RESERVED.

© Nu-Star Material Handling Ltd 2002-2015

Unless otherwise specified
tolerances are :
.XX +/- .020
.XXX +/- .010
Angles +/- 1 deg

Finish	Date
Material	Scale
	25/11/2015

	Sheet 3 of 3	Title Tissue Roller Attachment
	Issue number 1	Project Power Pusher
	Size A3	Drawing No. PPTR-161115-01